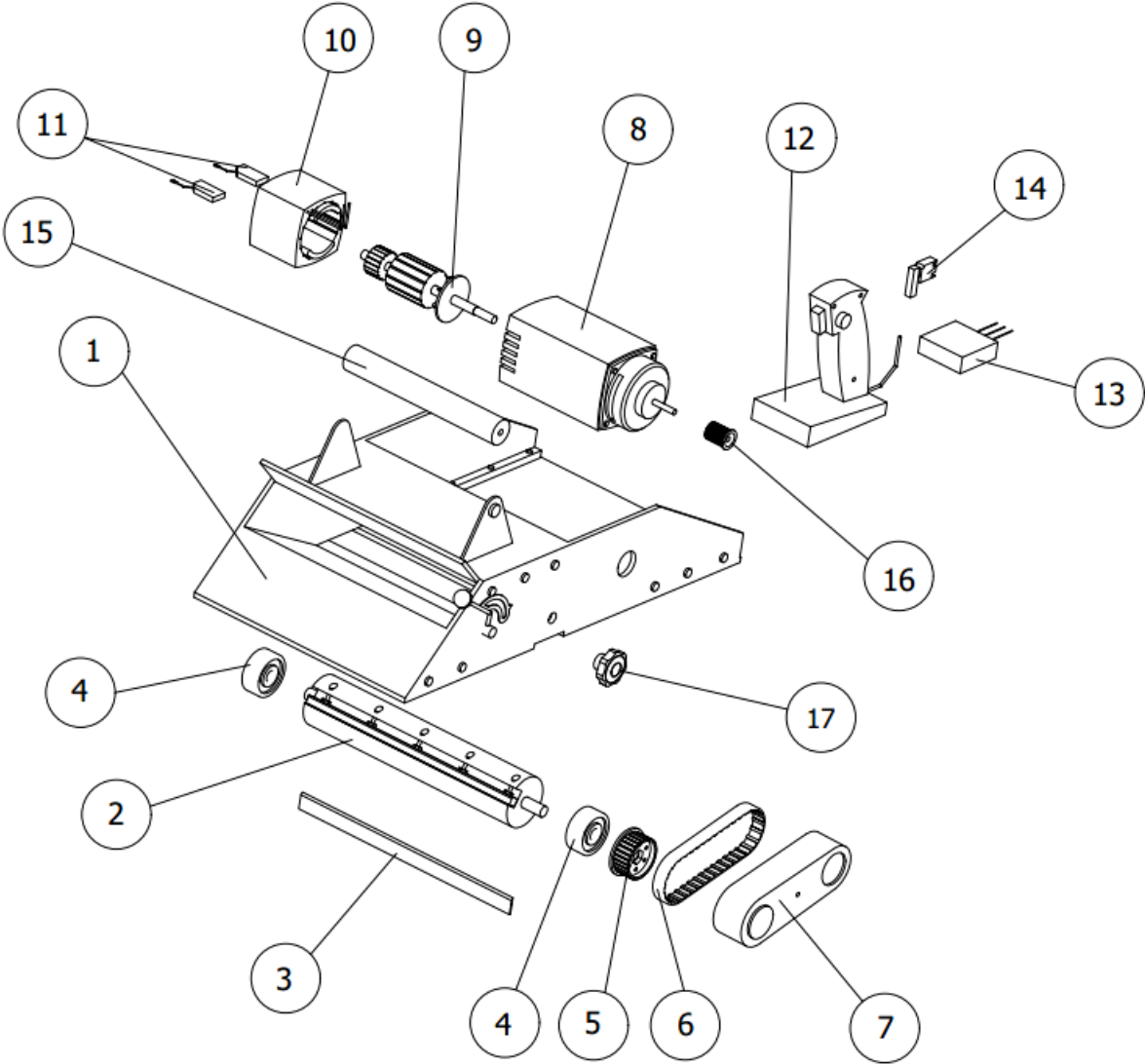


Technical drawing - planer



Spare Parts List - Plane

- 1) Planer body with adjustable mechanism
- 2) planer roller
- 3) knife
- 4) planer roller bearing
- 5) the gear is larger to the planer roller
- 6) toothed belt
- 7) toothed belt cover
- 8) electric motor
- 9) rotor
- 10) stator
- 11) carbons
- 12) handle
- 13) starting module
- 14) switch
- 15) handrail